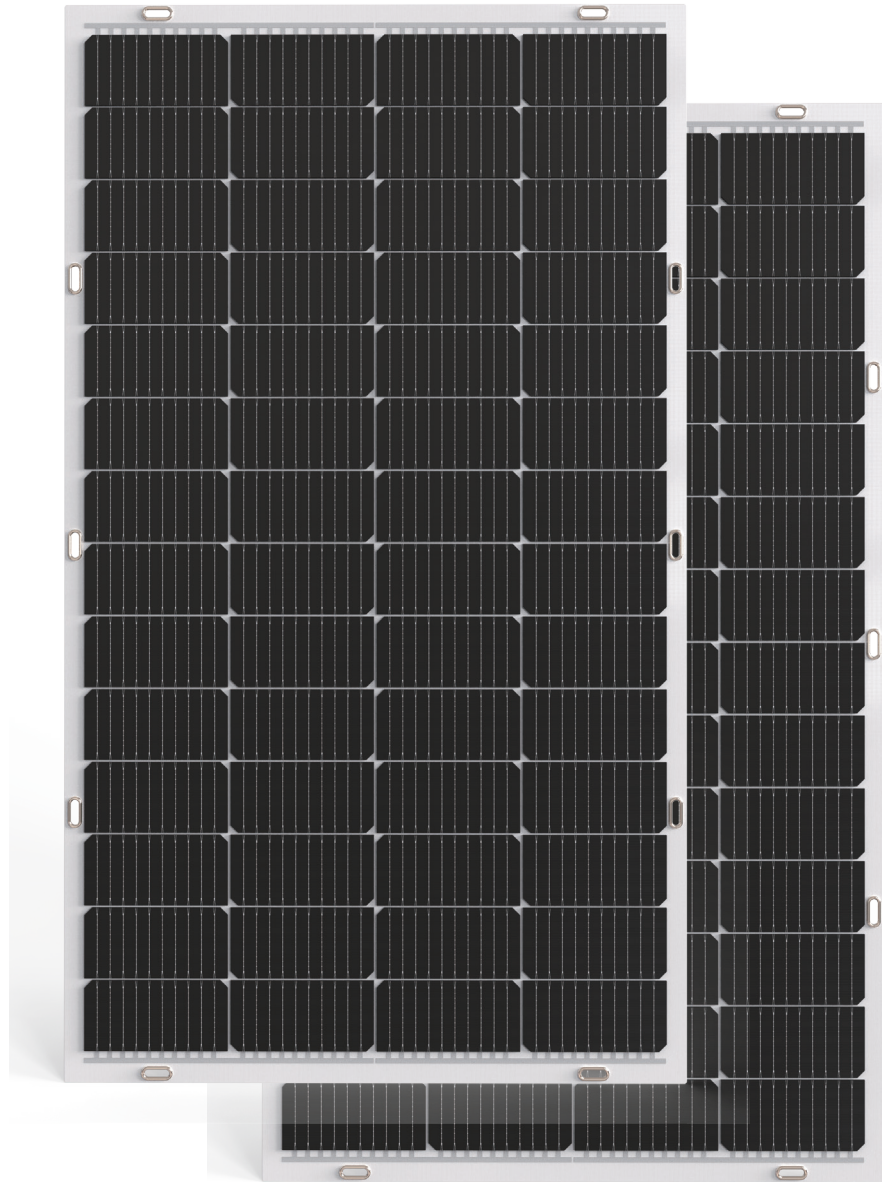


# *Balcony Solar System*

*MET-600-4*



Fast Installation



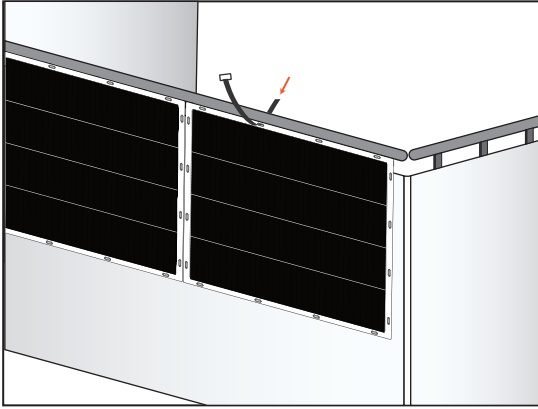
Light Weight



Multiple Using Scenarios

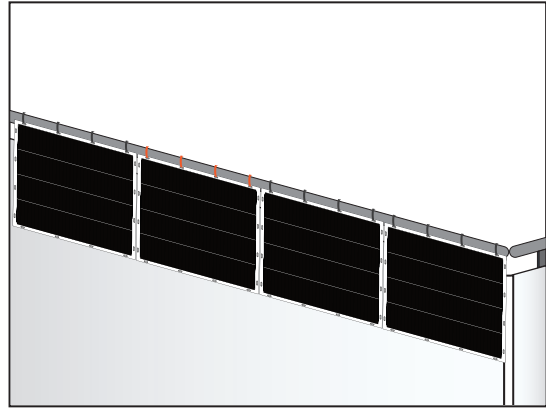
## STEP 1

Fix the solar panel with strap to the balcony



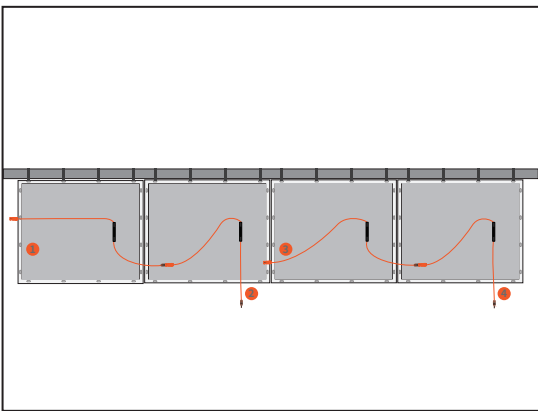
## STEP 2

Follow the first step, fix all the solar panels



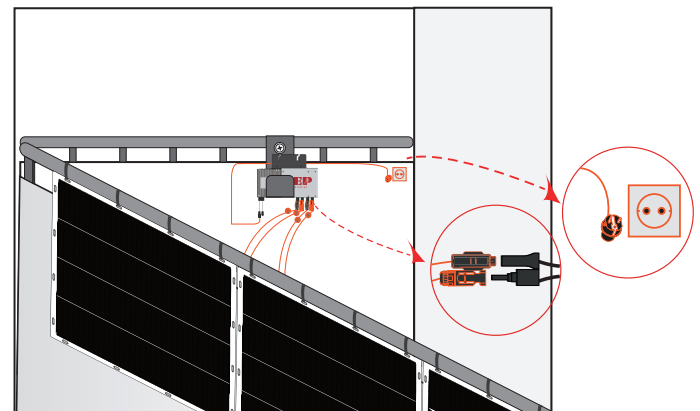
## STEP 3

Connect micro-inverter



## STEP 4

Connect extension cable and plug in power supply



## Solar panel

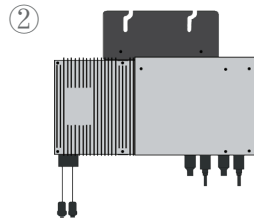
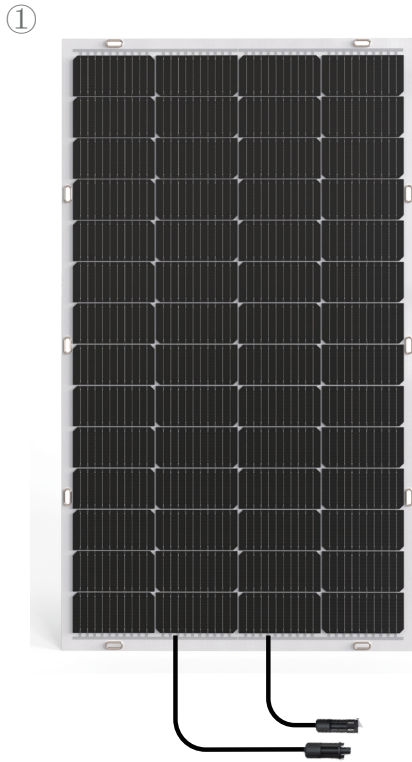
### ELECTRICAL CHARACTERISTICS

STC	HMN-210-F8ME
Maximum Power ( $P_{max}$ )	210W
Maximum Power Voltage ( $V_{mp}$ )	32.4V
Maximum Power Current ( $I_{mp}$ )	6.53A
Open-circuit Voltage ( $V_{oc}$ )	38.8V
Short-circuit Current ( $I_{sc}$ )	6.86A
Module Efficiency (%)	19.26%
Operating Temperature	-40°C to 85 °C
Maximum System Voltage	600VDC
Maximum Series Fuse Rating	15A
Application Class	Class A
Power Tolerance	0~+5W

STC: Irradiance 1000W/m<sup>2</sup>, module temperature 25°C, AM=1.5

### MECHANICAL CHARACTERISTICS

Solar Cell	Monocrystalline silicon cell
No. of cells	56
Installation Module Dimension	L:1380*W:790*H:18 mm
Actual Module Dimension	L:1300* W:736 mm
Weight	3.7 kg
Backsheet	White PV Backsheet
J-Box	IP 67 rated
Output cables	4mm <sup>2</sup>
Connector	MC4 compatible



## Component

- ① Flexible Solar Panel\*4
- ② Micro-inverter\*1
- ③ Extension Cable\*1
- ④ Fixing strap\*64

## Micro-inverter

### BDM-600

#### Input | DC

Max Recommended PV Power (Wp)	450 x 2		
Max DC Open Circuit Voltage (Vdc)	60		
Max DC Input Current (Adc)	14 x 2		
MPPT Tracking Accuracy	>99.5%		
MPPT Tracking Range (Vdc)	22 - 55		
Isc PV (absolute maximum) (Adc)	18 x 2		
Maximum Inverter Backfeed Current to the Array (Adc)	0		

#### Output | AC

Max AC Output Power (Wp)	600		
Nominal Power Grid Voltage (Vac)	240	208	230
Allowable Power Grid Voltage (Vac)	211-264	183-229	Configurable
Allowable Power Grid Frequency (Hz)	59.3 - 60.5		Configurable
THD	<3% at rated power		
Power Factor (cos phi, fixed)	>0.99 at rated power		
Rated Output Current (Aac)	2.50	2.88	2.61
Current (inrush, peak and duration)	24A, 15us		
Nominal Frequency (Hz)	60	60	50
Maximum Output Fault Current (Aac)	4.6A peak		
Maximum Output Overcurrent Protection (Aac)	10		
Maximum Number of Units per Branch (20A) All NEC adjustment factors have been considered	7	6	6

#### System Efficiency

Weighted Averaged Efficiency (CEC)	96.50%		
Night Time Rate Loss (Wp)	0.11		